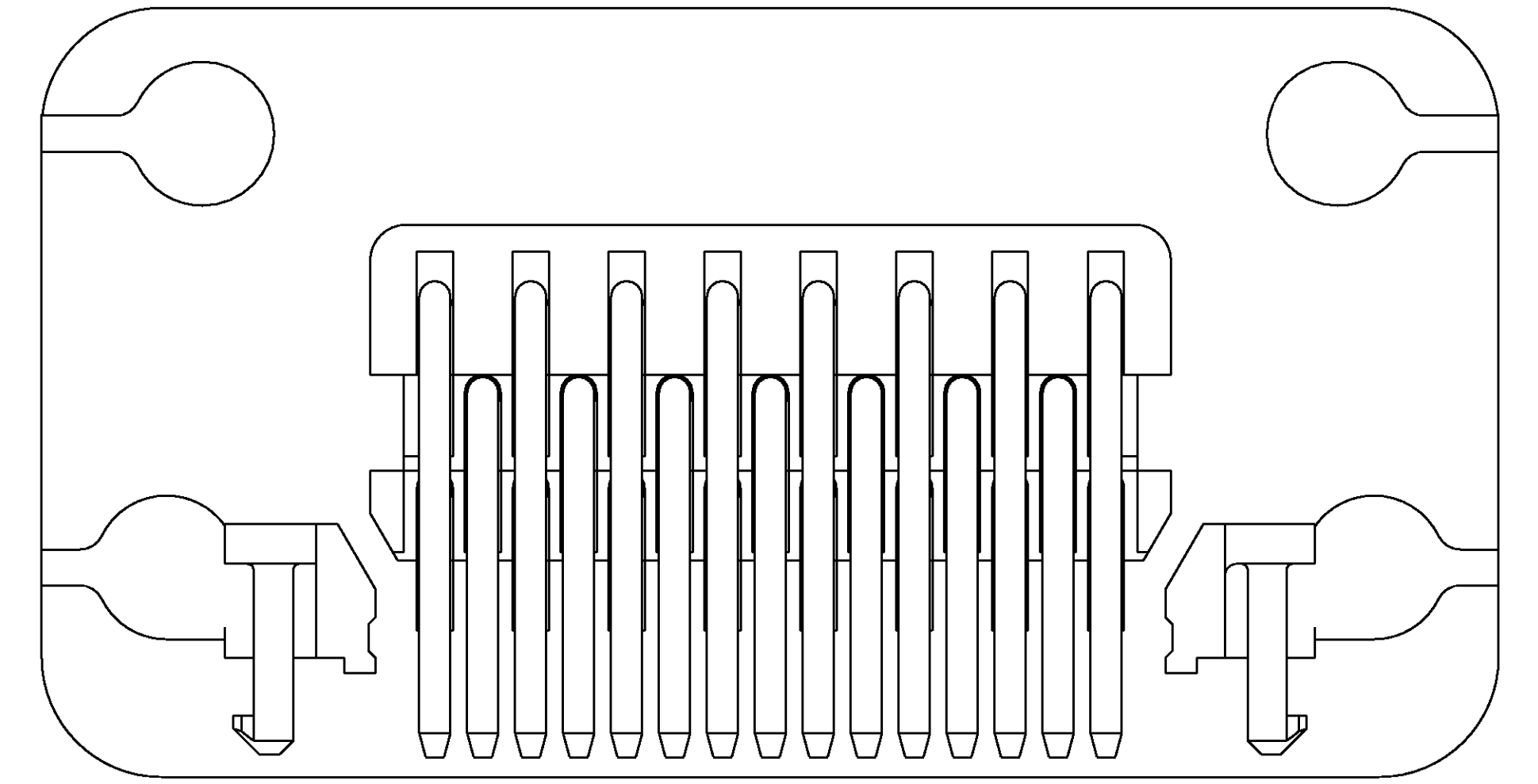
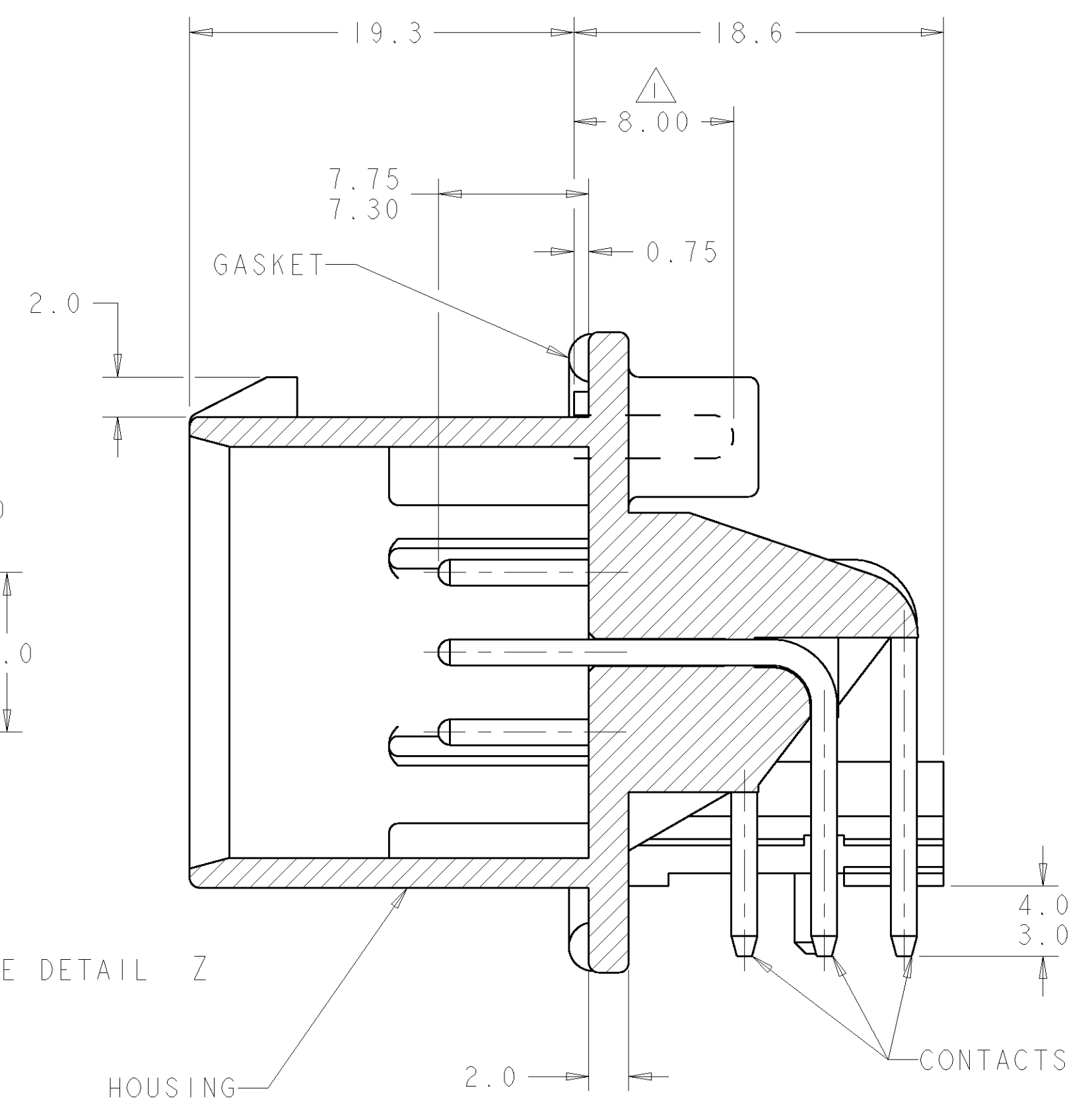
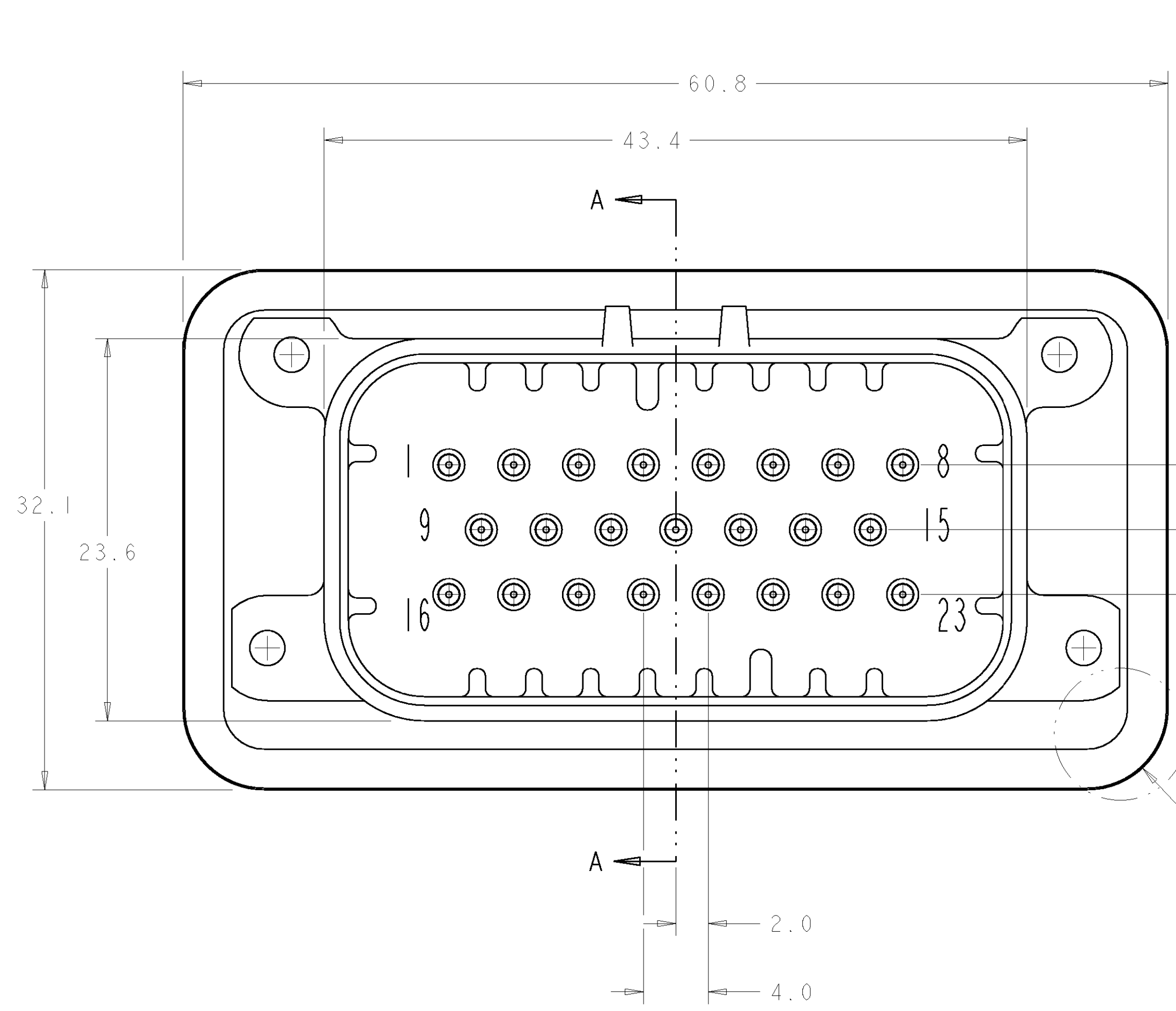
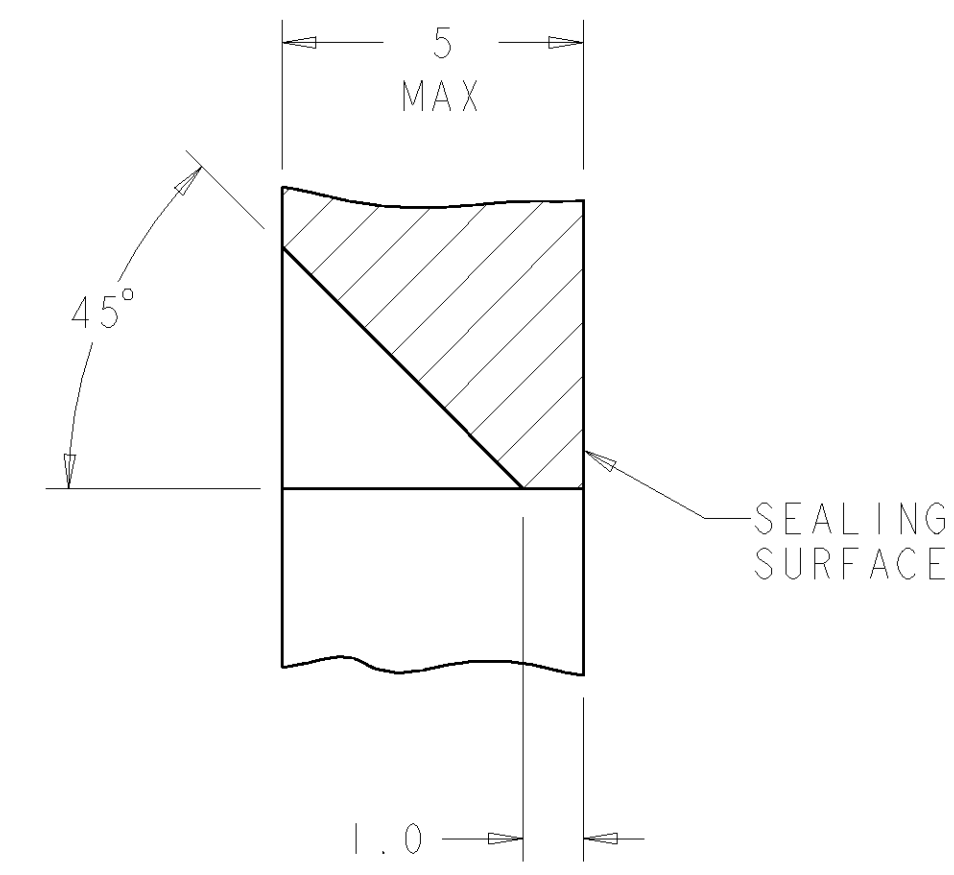
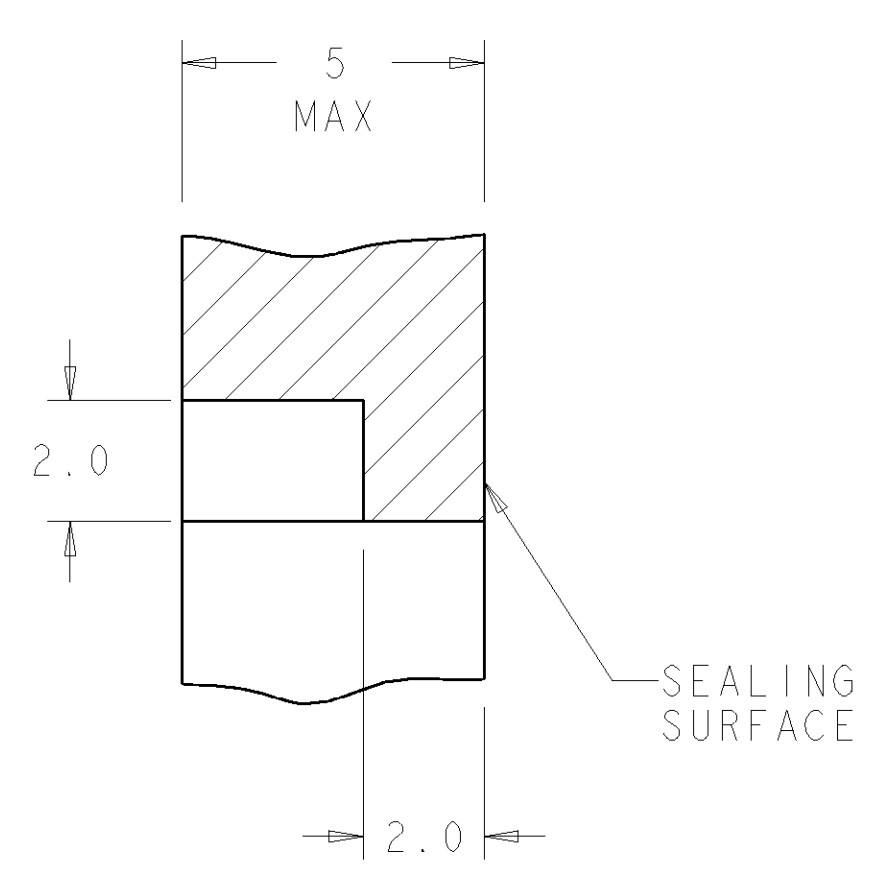
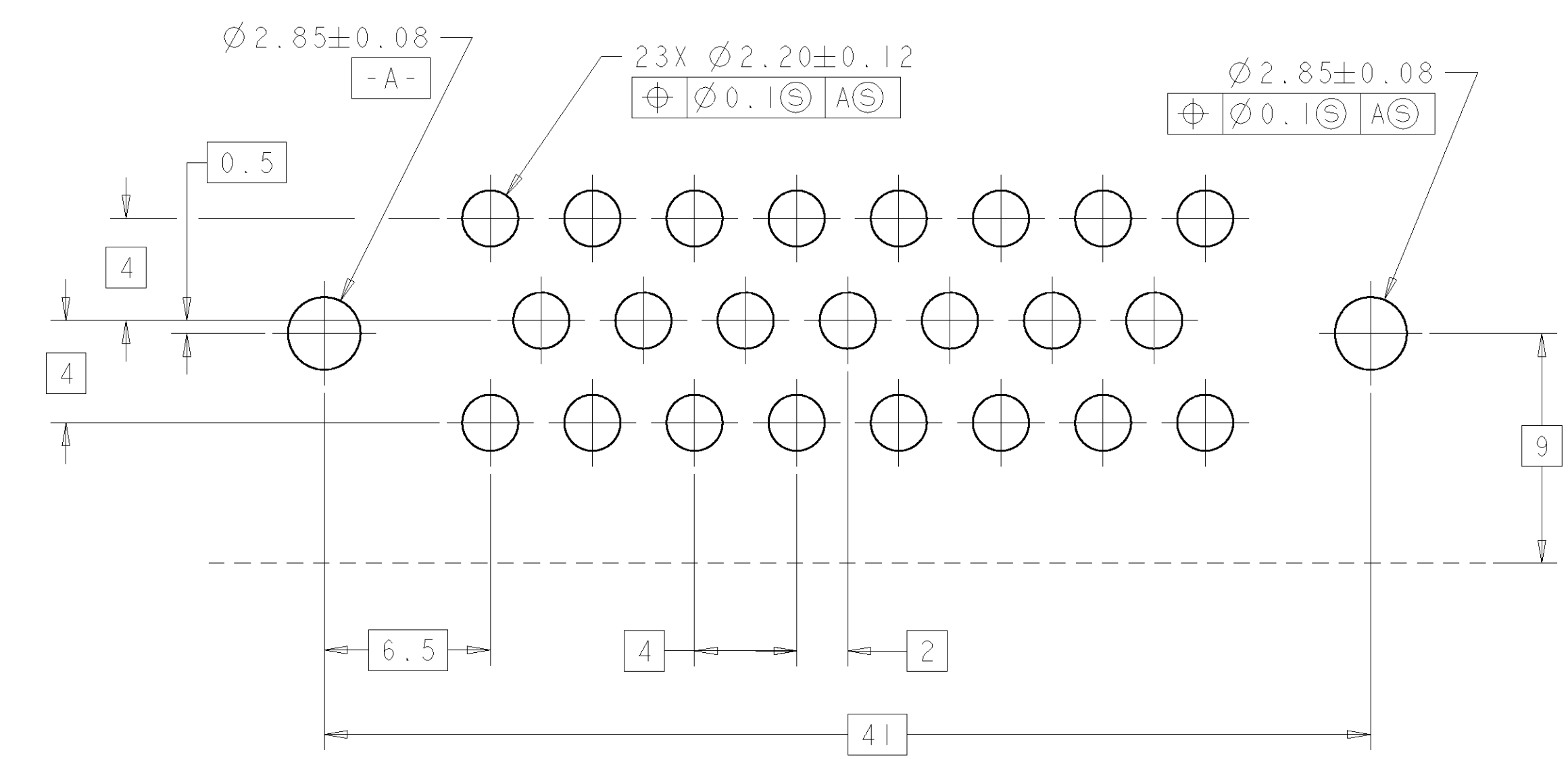
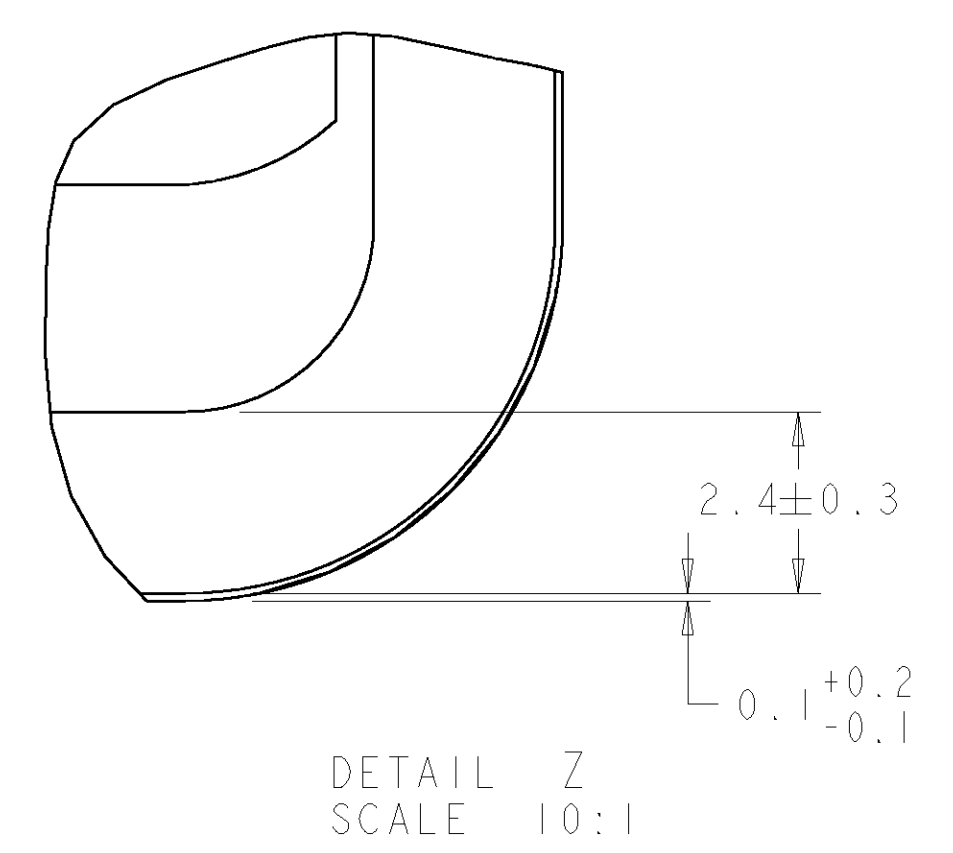
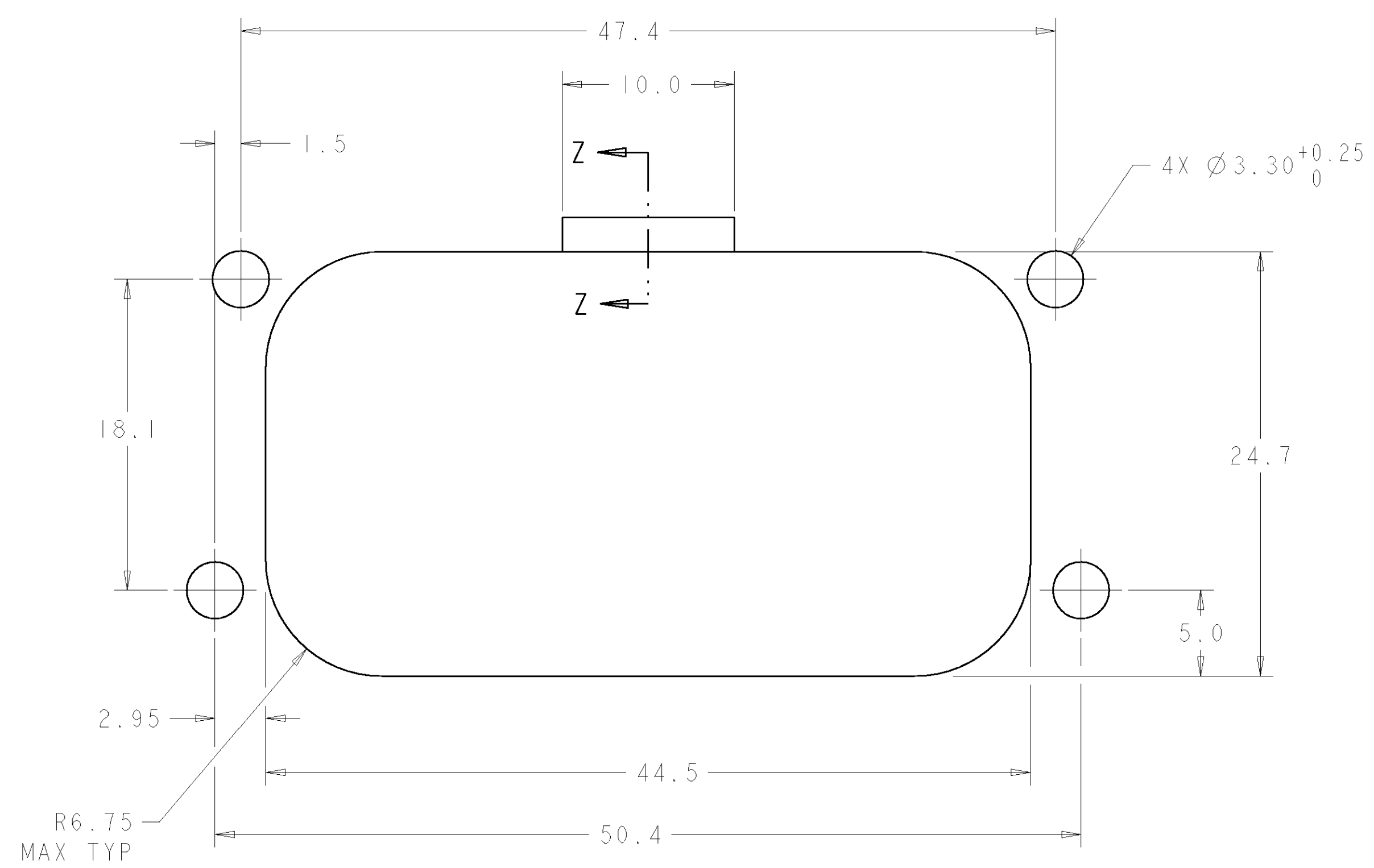


LOC		DIST		REVISIONS			
GE	00	P.	LTR	DESCRIPTION	DATE	DWN	APVD
		C		REV PER EC OK40-0453-02	31DEC2002	RGV	DHC
		D		REV PER EC OK40-1104-02	31DEC2002	RGV	DHC
		E		REV PER EC OK40-0193-03	10APR2003	AH	DC
		E1		REV PER EC OK40-0381-03	19JUN2003	RGV	MPT



1 ACCEPTS #4 SELF TAPPING SCREW (ELCO HI-LO THREAD CUTTING STYLE OR EQUIVALENT) TO BE DRIVEN AT 0.6±0.2 N-M.
 2 HOUSING COLORS ARE MECHANICALLY KEYPED TO MATE ONLY WITH IDENTICALLY COLORED PLUG ASSEMBLIES.



RECOMMENDED P.C. BOARD LAYOUT FOR 1.57 THICK P.C. BOARD

SILICONE	BRASS	DURAGOLD	PBT	BLUE	1-776087-5
SILICONE	BRASS	DURAGOLD	PBT	GRAY	1-776087-4
SILICONE	BRASS	DURAGOLD	PBT	NATURAL (WHITE)	1-776087-2
SILICONE	BRASS	DURAGOLD	PBT	BLACK	1-776087-1
SILICONE	BRASS	TIN	PBT	BLUE	776087-5
SILICONE	BRASS	TIN	PBT	GRAY	776087-4
SILICONE	BRASS	TIN	PBT	NATURAL (WHITE)	776087-2
SILICONE	BRASS	TIN	PBT	BLACK	776087-1
MATERIAL	MATERIAL	FINISH	MATERIAL	COLOR	PART NO
GASKET	CONTACTS		HOUSING		

RECOMMENDED MOUNTING HOLE LAYOUT FOR 5.0 MAX THICK PANEL

SECTION Z-Z: OPTIONAL CONSTRUCTION IF THICKNESS IS GREATER THAN 2.0. SCALE 8:1

SECTION Z-Z: OPTIONAL CONSTRUCTION IF THICKNESS IS GREATER THAN 2.0. SCALE 8:1

DIMENSIONS: mm 		TOLERANCES UNLESS OTHERWISE SPECIFIED: 9 PLC ±0.3 3 PLC ±0.13 4 PLC ±0.1 ANGLES ±0.5		DWN BY: VESTAL 31DEC2002 CHK: D. CROWE 31DEC2002 APVD: D. CROWE 31DEC2002		tyco Tyco Electronics Harrisburg, PA 17105-3608	
MATERIAL: SEE TABLE		FINISH:		WEIGHT:		SIZE: A1 00779 C=776087	
CUSTOMER DRAWING				SCALE: 4:1		SHEET 1 OF 1	

PRODUCT SPEC: HEADER ASSEMBLY, 23 POSITION, SNAP-IN, AMPSEAL